



## RIELLO UPS: DISTRIBUTED VS CENTRALIZED BYPASS ARCHITECTURES IN PARALLEL UPS SYSTEMS OF CAPACITY N.

### PARALLEL UPS SYSTEMS OF CAPACITY N & BYPASS ARCHITECTURES

In a modern, interconnected world where Data Centers are integral to success in environments ranging from schools, hospitals, and military bases, through to supermarkets, shops, and sports stadiums, relying on raw, unprotected utility power is hugely risky, even for a short period of time.

The threat of damaging downtime and data loss is too great, so organisations deploy uninterruptible power supply (UPS) systems to protect against potential loss of – or disruption to – the electrical supply to their mission critical systems.

A parallel-capacity UPS installation may be designed as an **'N system'** where N indicates the system load requirement in kVA and kW, and the maximum power capacity of the UPS system is rated for the maximum power requirement of the load. The main drawback of such an approach is the lack of in-built redundancy against potential system overloads, faults, or failures, and therefore an 'N system' is the least resilient enhanced power protection typology, even if economically advantageous.

Another solution is to have a parallel-capacity system consisting of multiple uninterruptible power supply units (whose maximum power capacity satisfies maximum power requirement of the load) and an additional UPS unit that provide support to the critical load.

This system is referred to as **'N+1 system'** and provides additional resilience to momentary system overloads and faults, ensuring that if any one of the UPS units is off line (e.g. manually shut down for servicing), then the critical load will

continue to be fully supported by the remaining operational units in the system.

While "N systems" UPS don't have the extra in-built resilience that N+1 offers, they do provide obvious advantages in terms of lower installation and operating costs, plus higher utilisation of the system's assets.

If a UPS system encounters a fault condition such as an output overload or short circuit, or an internal component failure, then the system will automatically switch to an internal static bypass mode.

This will transfer the critical load from the conditioned and battery supported UPS supply, to the basic utility mains electricity supply via an electronic switch.

Any transfer to static bypass should be considered as a last resort in order to maintain power to the load and (other than for maintenance purposes) should only be used due to external factors such as overload, over temperature or short circuit.

### WHAT ARE THE MAIN UPS BYPASS ARCHITECTURES?

There are two principal approaches to UPS static bypass arrangements – centralized or distributed.

Both solutions aim to fulfil the same basic end goal, i.e. to provide power continuity if the UPS system is unable to support the load.

### Short Circuit

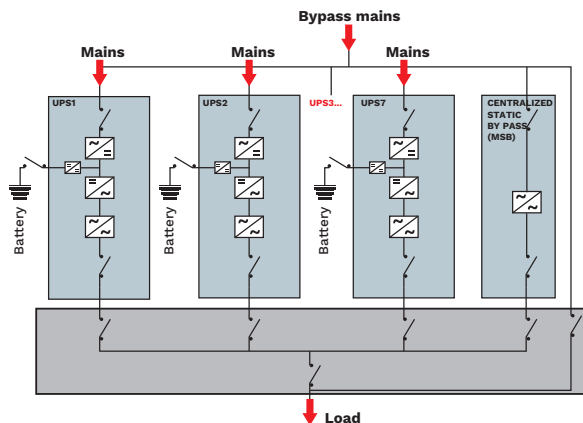
Short circuit is an anomaly in an electrical circuit and occurs when two polarities (phase and neutral) come into contact. During a short circuit there is a passage of high intensity current which typically depends on a damaged circuit, faulty wiring or loose connections.

The heat developed produces serious damage on systems and electrical devices that are not suitably protected (current limiters or fuse valves).

The main differences can be summarised by the physical location of the static bypass module(s) within the overall UPS system, and the electrical rating of the electronic switching components.

- Centralized Bypass**

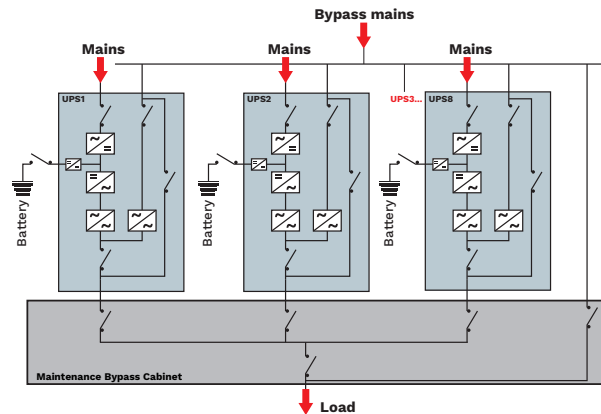
This architecture has a single common static bypass switch located in a separate cabinet, that is rated for the required capacity of the UPS system in an N configuration as required. This common static switch module will communicate with the UPS (rectifier/inverter) modules within the system and will be controlled by a ‘Master’ UPS module to ensure a managed system transfer from UPS to static bypass operation.



- Distributed Bypass**

This architecture requires each UPS in the system to have its own separate internal static bypass switch, rated according to the maximum capacity of the individual UPS unit. Each UPS unit in the system will separately monitor its own output, and if it becomes necessary for the UPS system to transfer to

static bypass operation, then the static switch in each UPS will be simultaneously switched on and share the load in parallel.



For example: in an N centralized system with three 200 kVA UPS units there will be a single static bypass module rated at 600 kVA; while in an N distributed system comprising three 200 kVA UPS units there will be three separate 200 kVA static bypass switches operating in parallel.

This basic difference in static bypass architectures is applicable no matter how many UPS units are connected to make up the overall power protection system.

It should also be noted that the above principles of centralized or distributed static bypass arrangements apply to all UPS system architectures including parallel, standalone, and the increasingly popular modular systems.

Centralized and distributed architectures are both perfectly viable solutions for ensuring that a seamless system transfer to mains operation is available as and when necessary.

It is only natural that some consultants or IT managers will have their own personal preference. But in general, the choice between both approaches boils down to a few key factors and should be decided on a case-by-case basis.

## FACTORS IMPACTING BYPASS ARCHITECTURE CHOICE

### Reliability

Depending on the application, organisation, or supplier, the overall reliability of a critical power protection installation may be assessed by one of several criteria. For instance, there's the most common and self-explanatory metric, Mean Time Between Failures (MTBF), there's Mean Down Time (MDT), and there's Mean Time To Repair (MTTR), which ideally should take into account travel time and spares provision.

While these metrics all have some merit, they are derived from statistical data and therefore need to be treated with caution.

A specified MTTR of two hours, for example, may be wholly accurate, but only if a suitably qualified UPS engineer is on site with the parts and equipment necessary to complete the repair. This metric does not account for engineer or parts availability and lead time, or the initial engineer travel time to site.

There are also two main areas of resilience for consideration:

- **Operational resilience**

In theory, both bypass architectures are as reliable as each other, although it can be argued that because a centralized approach requires more components for the separate bypass cabinet, technically that could make it slightly less reliable.

The centralized method, however, introduces a single point of failure (SPOF), a critical element in the supply of the static bypass system.

But in an N configuration, the same issue still applies in a distributed configuration too, because there's no redundancy to any of the bypass switches.

A consideration with older UPS installations with distributed bypass architecture was how the multiple bypass switches within the system operated together under fault conditions, and whether they performed a simultaneous transfer to bypass.

These concerns were mainly due to the time delays associated with bypass switching.

Within a modern UPS the bypass switching transfer time is invariably instantaneous.

In a planned (or normal) transfer – when the user commands the system to switch to static bypass – the UPS receiving the command will transmit the request to all other units in the system via the parallel CANBUS communication line. All units in the parallel system will then simultaneously transfer to static bypass operation.

During an emergency scenario such as an output short circuit, the system inverters will become incapable of maintaining the output voltage. Each UPS unit will independently detect the output fault/overload, and a simultaneous transfer to static bypass will be initiated.

- **Maintenance resilience**

Without any in-built redundancy, an N UPS system clearly impacts on UPS provision during maintenance. But static bypass availability is also compromised too.

In the centralized architecture, when an engineer services the static bypass switch, the static bypass functionality of the system will be unavailable.

However, even in a distributed architecture the lack of redundancy means that when the individual bypass switches in each UPS are serviced, overall bypass functionality is removed.

Because of the lack of redundancy in both centralized and distributed architectures, bypass functionality is also lost if the static bypass itself fails.

### Power balancing

One of the biggest advantages of a centralized bypass system is that it eliminates any potential issues introduced due to different cable lengths – and hence impedances – between the input and output cabling of each UPS module in the parallel system.

Having a single current through the centralized static bypass line prevents any power balancing inconsistencies when the system is operating in static bypass mode.

When a distributed UPS system is transferred to

static bypass, the internal electronics (rectifier/inverter) within each UPS unit in the system will be switched off and effectively circumvented by connecting the input supply to each UPS unit through to the output via the internal static bypass switches.

Therefore, the length and total impedance of the cabling fitted between the UPS input and output will determine how much current flows through the static bypass switch in each unit.

In order to ensure accurate load sharing during static bypass mode, the total length of cabling connecting each UPS to the common input and output points needs to be the same.

Differences in total cable lengths – and therefore impedances – can cause the current flow to become unbalanced through the individual UPS static bypass switches.

Such an unbalanced current flow could potentially lead to a static switch overload or nuisance tripping of a UPS unit's external input or output protective devices.

It may be difficult to ensure 100% perfect power balancing by exactly matching the total length of the input and output bypass cabling through each UPS unit, particularly with systems that have long cable runs.

However, satisfactory power balancing should be achievable providing the maximum difference in the total cable length through each UPS unit doesn't exceed around 2-5%.

One option to overcome the issue of power balancing within a distributed bypass – assuming that the cable lengths cannot be adjusted – would be to fit line reactors on the input to each UPS unit, but this would add significant additional costs to the system.

## Cost

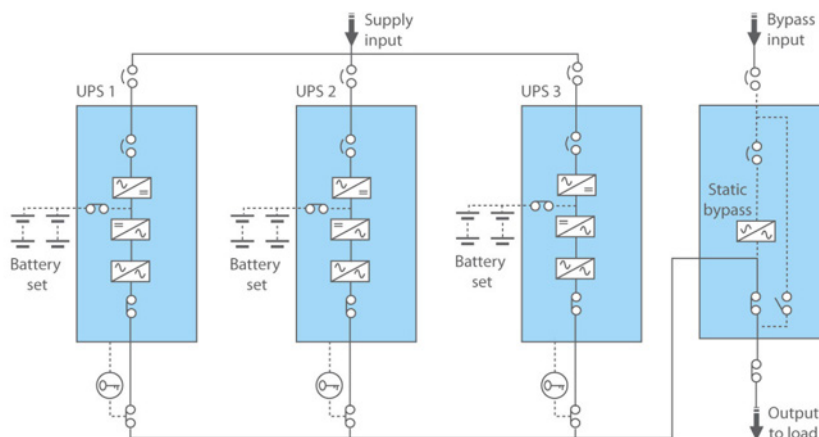
Financial constraints are obviously important to consider, both in terms of the initial capital expenditure to install the UPS system (CapEx), as well as the ongoing running and maintenance costs (OpEx).

As a rule of thumb, a centralized bypass architecture is slightly more expensive than a distributed one. This is due to the need for the separate dedicated cabinet containing the static bypass switch, plus all the necessary additional components, cabling, and controlling infrastructure.

The cost difference is greatest with a smaller parallel-redundant UPS system. However, as the total capacity of the system design increases, economies of scale become a factor and the disparity in cost between both approaches tends to decrease.

This explains why centralized bypass architecture tend to be more common for large-scale installations.

There is another cost factor to consider, namely the system switchgear requirements. In a single



A typical N Capacity UPS System with Centralised Bypass  
Where each UPS is rated at 200 kVA with the Centralised Bypass rated at 600 kVA

input distributed architecture, there will be a separate single input and output breaker for each of the UPS units in the system – note that the input breaker will feed both the rectifier and internal bypass line for each UPS unit.

Therefore, the required number of separate input and output switches/breakers would match the number of UPS units in the installation.

In comparison, a centralized architecture would require the same quantity of input and output switches/breakers for the UPS units, but additional input/output switchgear would also be required for the separate static bypass cabinet, resulting in higher initial installation costs.

On a similar theme, a centralized architecture is effectively a dual input system, where the UPS rectifier modules are fed from one source, and the bypass module is fed from a separate source and/or a separate breaker.

To replicate this dual input functionality in a distributed architecture, you would need to double the number of breakers supplying each UPS unit.

Therefore, the system design architecture will directly influence the required quantity of external UPS switchgear, which is an additional cost that must be considered.

### **Footprint & Future Planning**

The most obvious point to make here is that a centralized system will require the additional space to house the standalone static bypass cabinet.

In terms of capacity, the distributed method does provide greater flexibility and the potential for future growth of the system.

If the UPS system requires increased capacity, then additional units can simply be added into the parallel system on a ‘pay as you grow’ basis.

Note that depending upon the UPS type and rating, there will be a limitation on the number of separate UPS units that can be connected in parallel.

A centralized bypass is naturally more restrictive

with regards to future system expansion, so careful consideration must be taken during the initial system design.

If the bypass module installed at day one isn’t rated to deal with the load applied at day two, it will need replacing with a larger module.

Alternatively, there is the danger of initially installing a bypass which is too large and oversized for the needs of the system, which in turn results in additional and unnecessary upfront expense.

### **SUMMARY**

There isn’t a definitive answer as to whether a centralized or distributed bypass architecture is the best solution for every situation. It’s a decision that should be made on a case-by-case basis.

IT and facilities managers need to weigh up a range of issues, principally their financial and space constraints, their present and future capacity needs, and the impact each of the design architectures could have on overall system reliability and resilience.

Broadly speaking, the main advantages of a distributed bypass architecture – greater scalability and lower initial capital investment – make it a more suitable option for smaller or medium-sized installations utilising UPS power modules up to 200 kVA.

While the reliability and performance at scale provided by centralized bypass architectures means they are more likely to be selected for installations in larger Data Centers and facilities, particularly those with multiple UPS units of 300-400 kVA and above.

**CENTRALIZED BYPASS ARCHITECTURES****Advantages**

- Easier to balance power during bypass mode.
- Fewer mechanical components and switching devices.
- Easier installation and deployment with relatively simple switchgear.
- Scalability for larger facilities with defined growth plans.
- Suitable for larger Data Centers running multiple power modules of 300-400 kVA and above.

**Disadvantages**

- Single Point of Failure (SPOF) as the system is dependent on a single static switch and bypass breaker.
- Loss of bypass functionality during routine maintenance of the static bypass module.
- Higher initial capital costs and larger footprint due to additional bypass cabinet.
- Increased risk of oversizing during initial installation.
- Slightly higher ongoing maintenance and service costs.

**DISTRIBUTED BYPASS ARCHITECTURES****Advantages**

- Lower upfront cost and smaller footprint as no dedicated bypass cabinet is required.
- Not dependent on a single static switch or bypass breaker.
- Scalability for facilities with future growth plans; potential to grow incrementally without the risk of oversizing at installation.
- Suitable for small to medium-sized spaces utilising UPS power modules up to 200 kVA.

**Disadvantages**

- Single Point of Failure (SPOF) as bypass system has no in-built redundancy.
- Loss of bypass functionality during routine maintenance of static bypass switches.
- Difficult to balance power during bypass mode due to tight tolerance of 2-5% for cabling impedances between units.
- Additional switchgear costs for dual input systems.